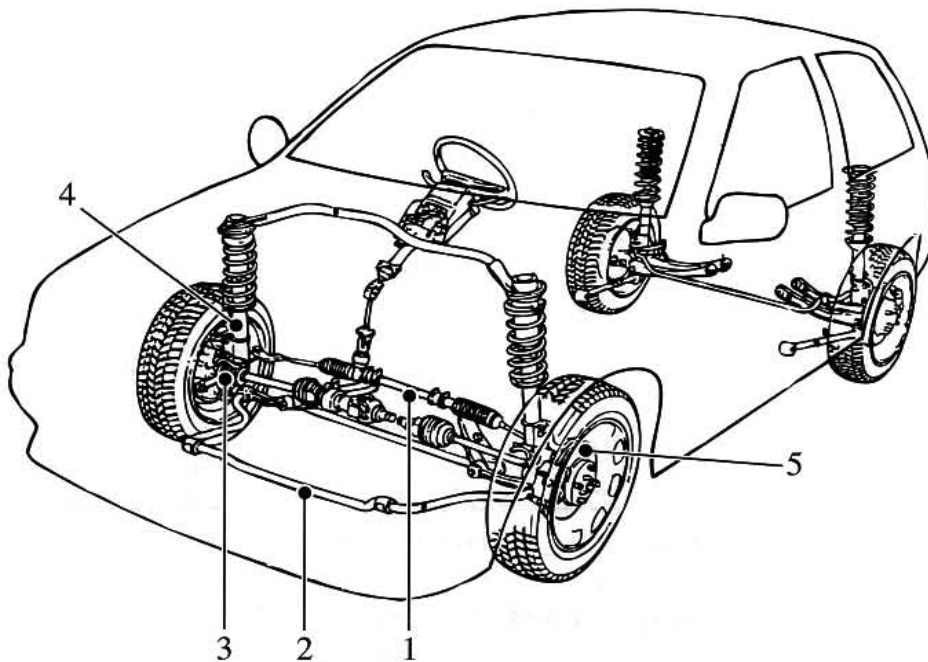


Question 18 (8 marks)



(a) Complete the table below, naming each numbered component and describing its function.

5

Name	Function
1. Steering Rack	allow movement to be transferred from the steering wheel to the road wheels
2. Sway bar	stop lateral movement of the front wheels and components
3. C.V Joint	transfer drive from the engine to the driving wheels
4. Strut	to absorb bumps and road vibrations to provide a smoother ride
5. Brake rotor	to provide a stopping force when brakes are applied

Question 18 continues on page 12

Question 18 (continued)

- (b) A customer complains that the car battery is constantly running flat.

3

In the table below, list THREE possible faults in the charging system that could be causing the problem. Name the test that you would perform for each fault identified.

Possible fault	Test to perform
faulty alternator	when vehicle is running use a tester suited to testing an alternator to see if it is charging.
tracking	at the top of the battery put the probes of a multimeter on it to see if there is any voltage in it.
old age	using a hydrometer test the battery electrolyte.

End of Question 18