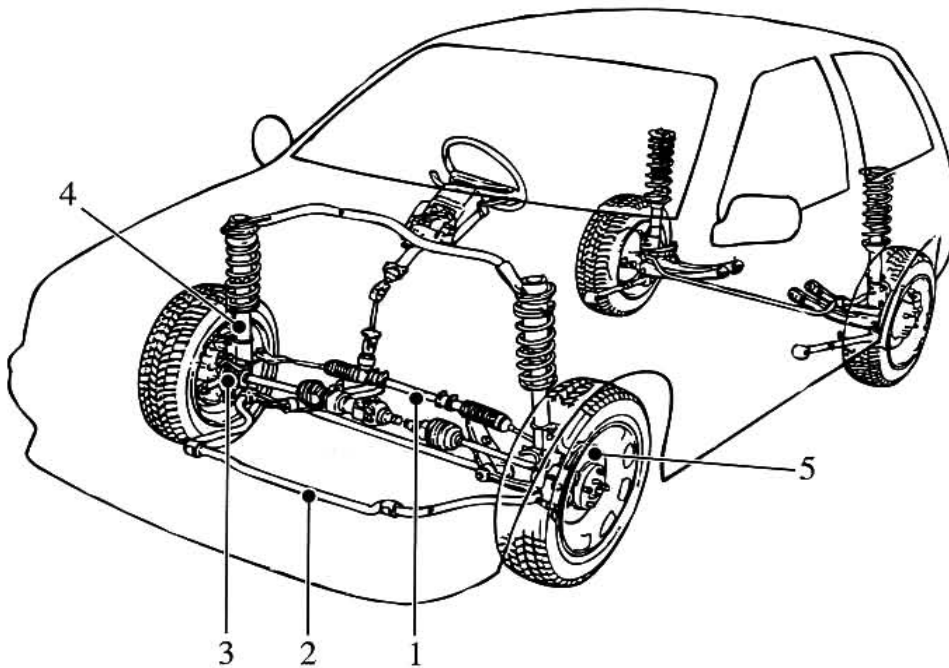


Question 18 (8 marks)



(a) Complete the table below, naming each numbered component and describing its function. 5

Name	Function
1. Steering rack	transfers steering force from steering wheel to wheels.
2.	
3.	
4. Shock Absorber	absorbs the impact from the road
5. Disc rotor	Contact surface for the brake pads to slow the wheel.

Question 18 continues on page 12

Question 18 (continued)

(b) A customer complains that the car battery is constantly running flat.

3

In the table below, list THREE possible faults in the charging system that could be causing the problem. Name the test that you would perform for each fault identified.

Possible fault	Test to perform
Alternator Battery	Use battery tester to check condition of battery. Alternator
Alternator	Voltmeter to see if Alternator is generating a charge
water short Battery leads	Use Voltmeter to find if there is any significant losses of power through the system when ignition is on or Battery should have a

End of Question 18

change of approx 13.8V-14.1V while running normal.